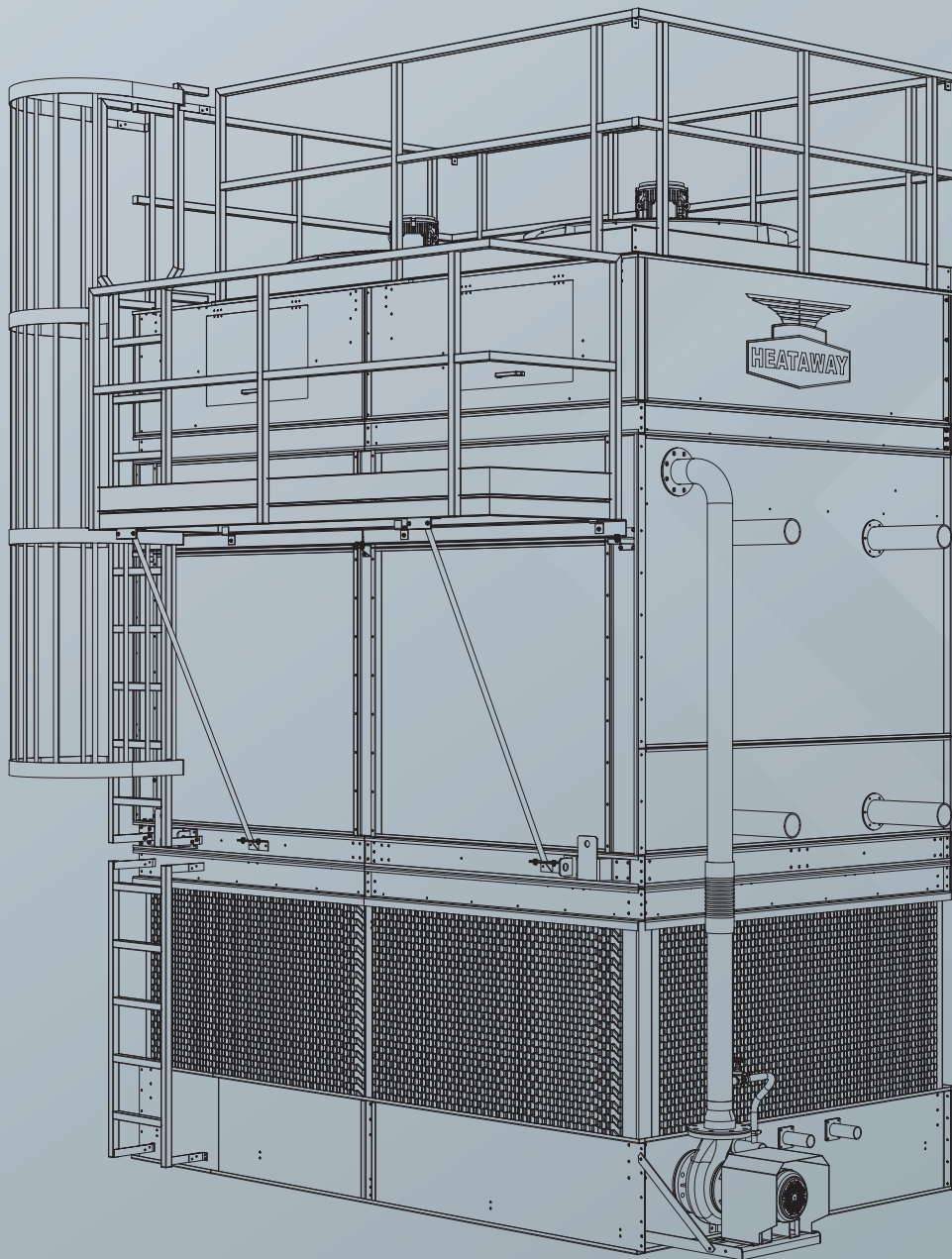


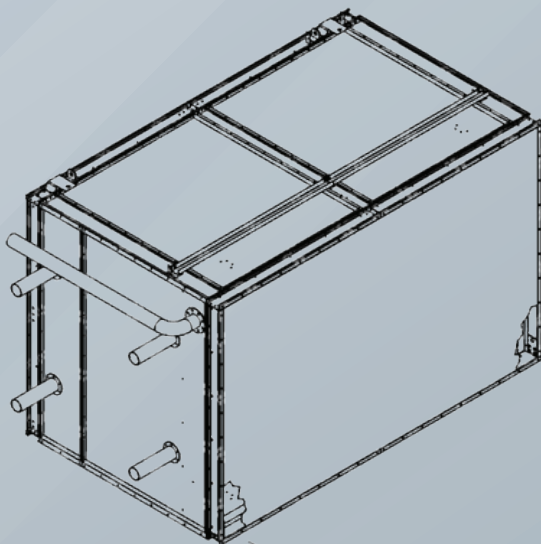
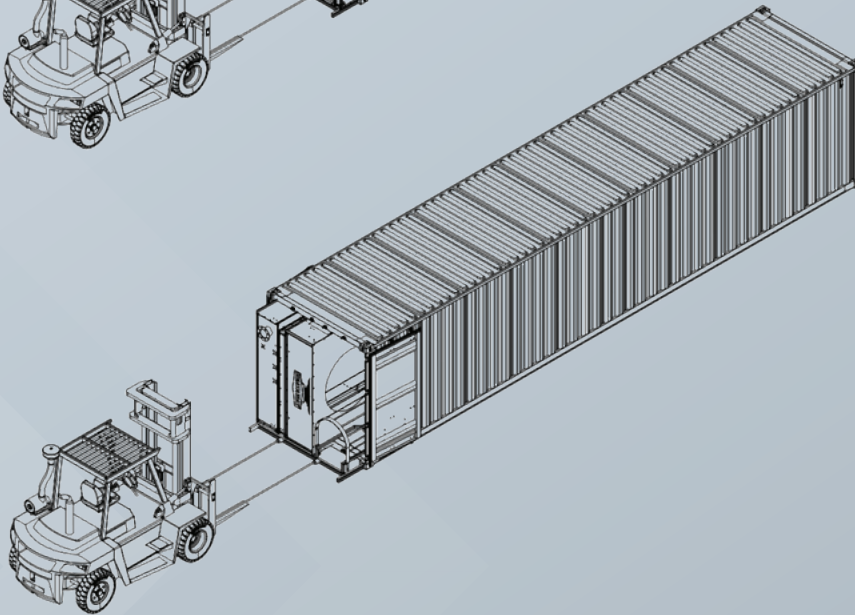
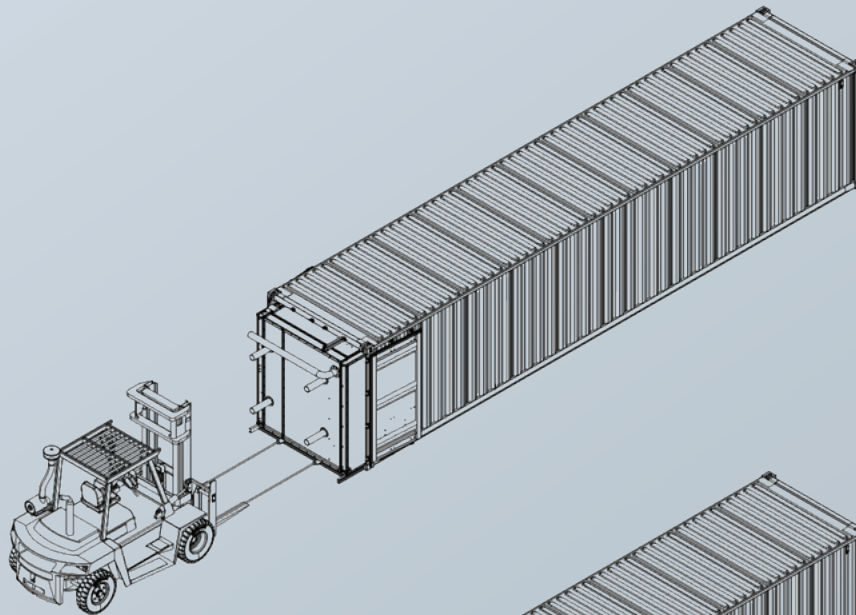


BRAND-NEW 8th GENERATION

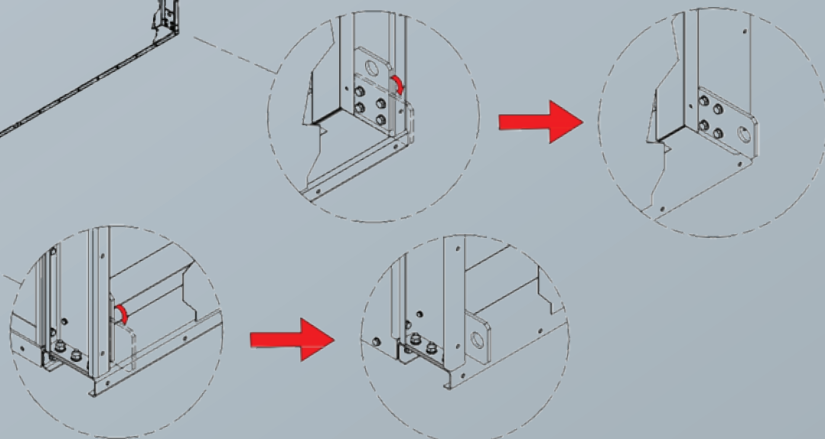
RIGGING & ASSEMBLY INSTRUCTION

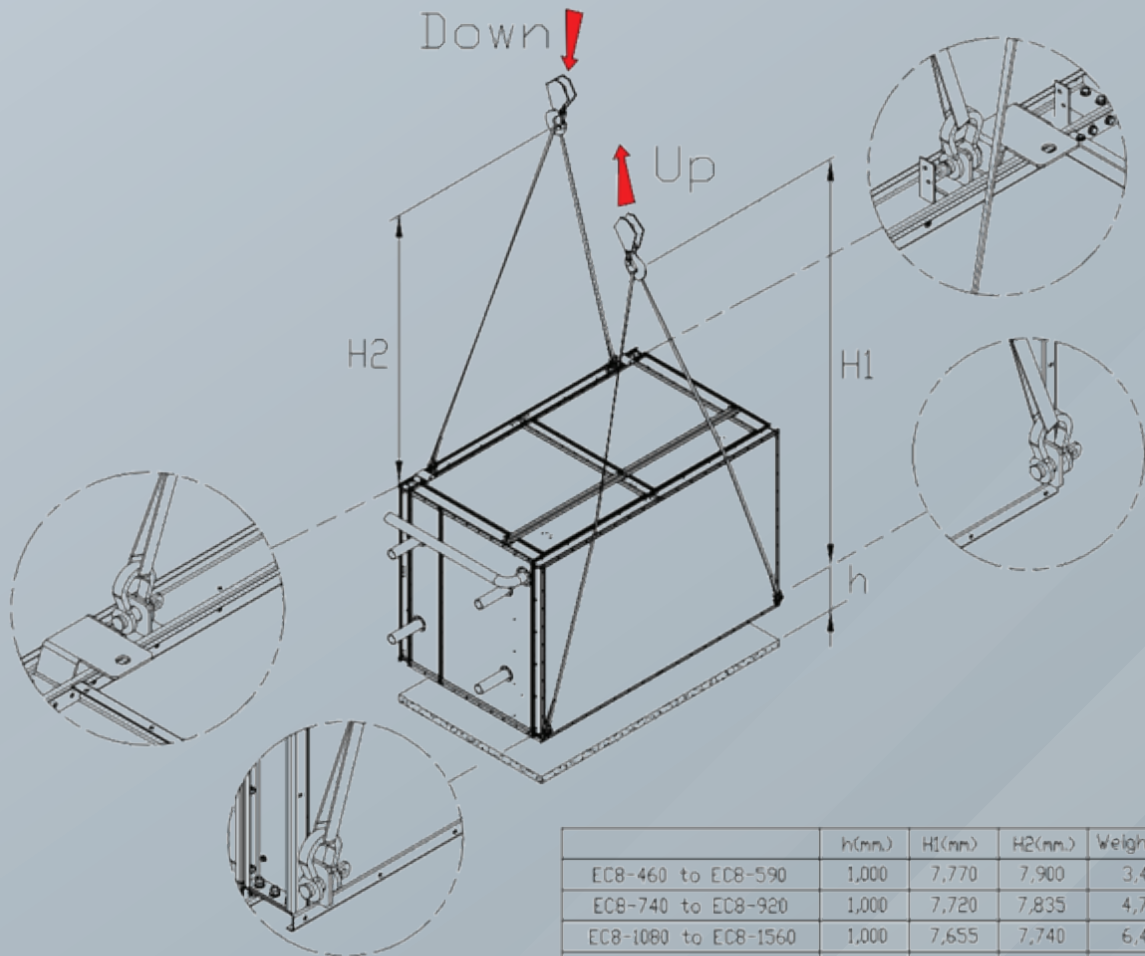


HA-EC8-RIGGING 001 (EN)

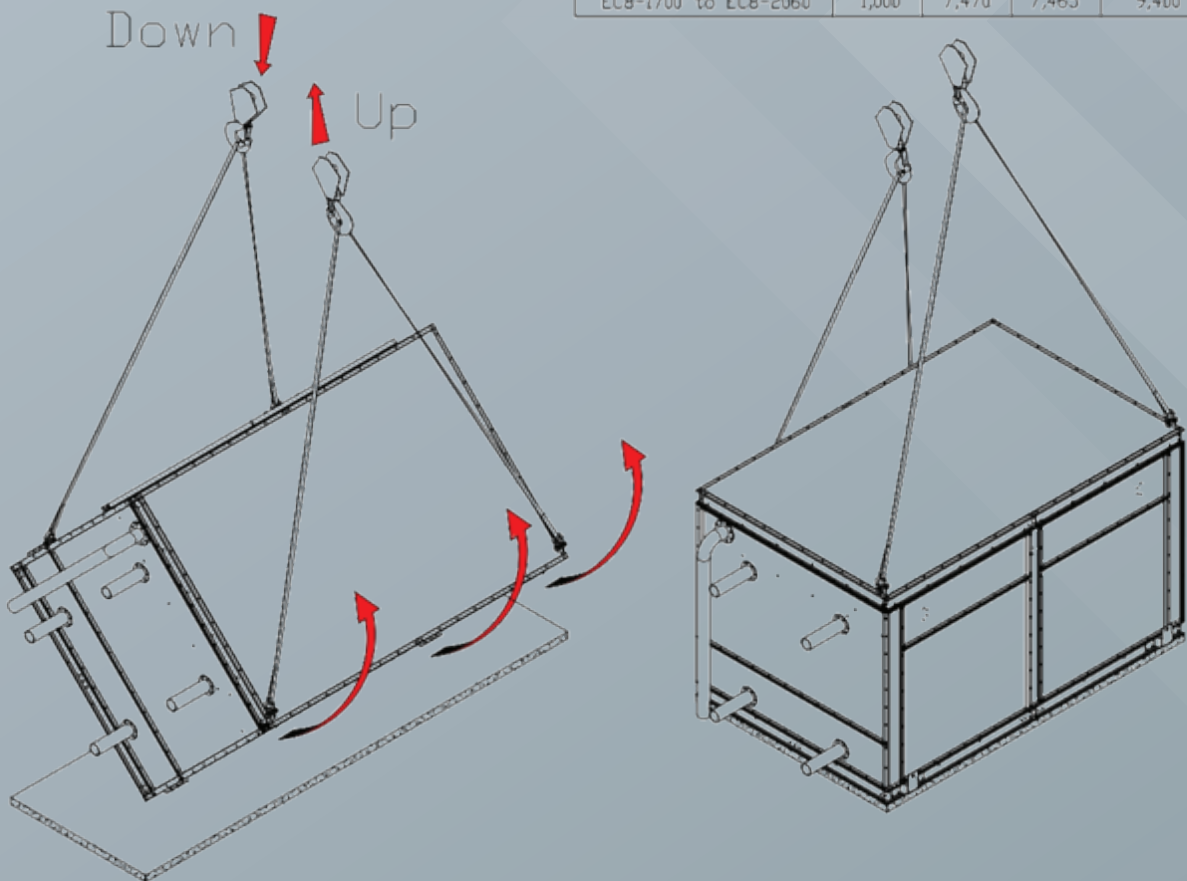


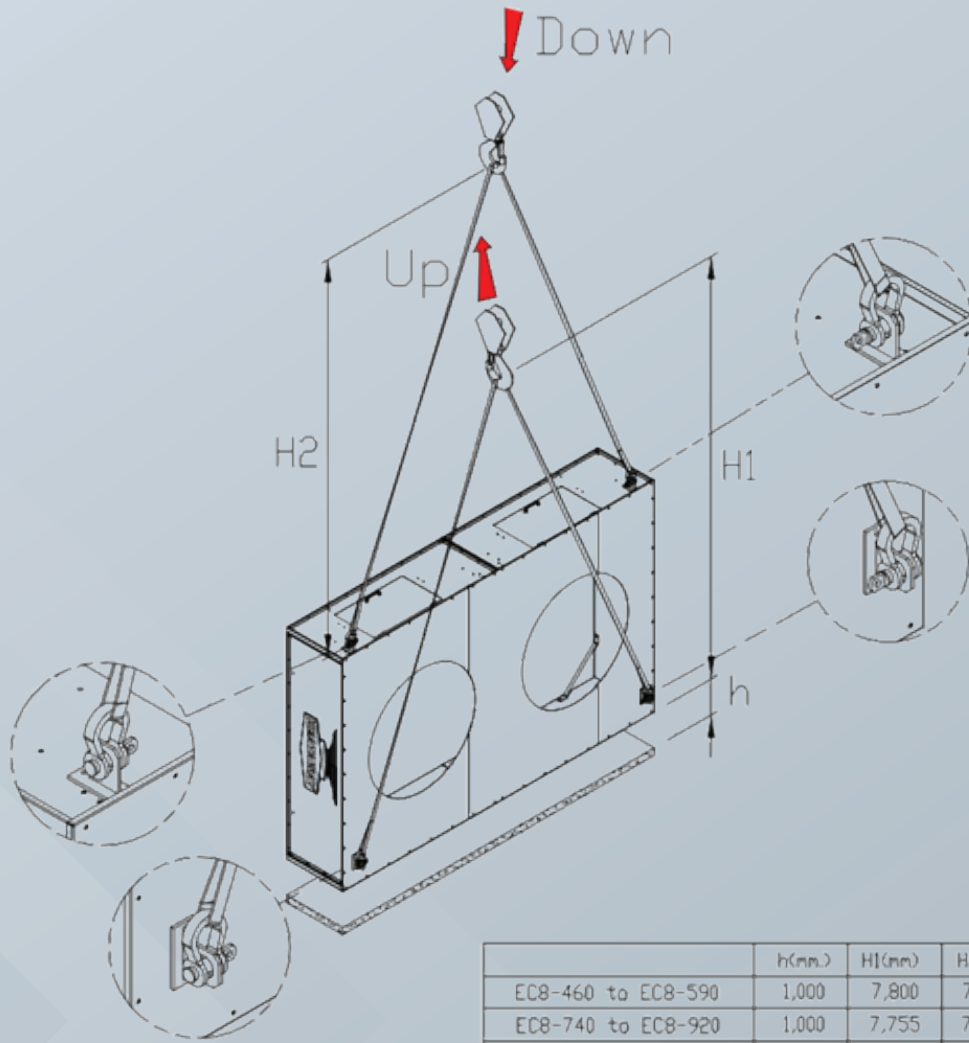
TIGHTENING TORQUE (A2-70)		
M	Qty (Set)	TORQUE (Nm)
6	0	7.0
8	0	17.0
10	16	33.0
12	0	57.0
16	0	140.0



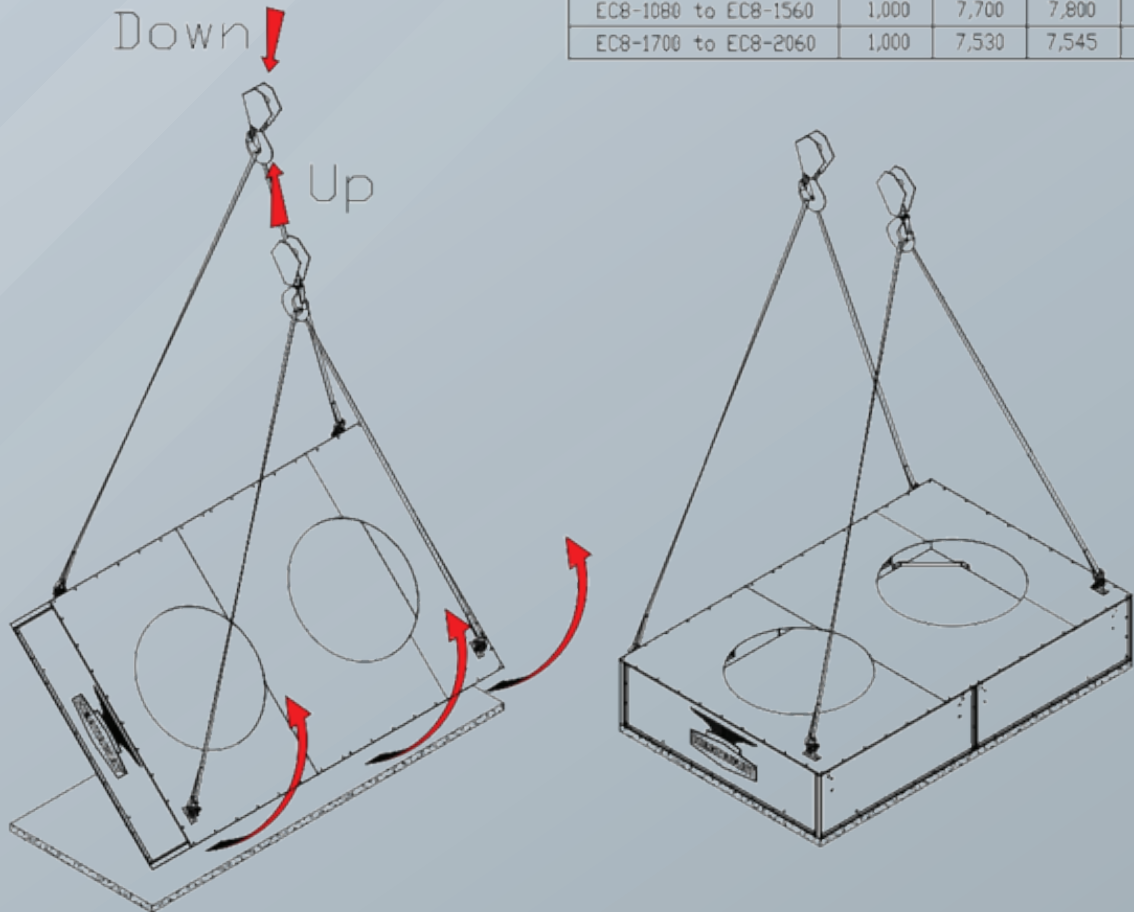


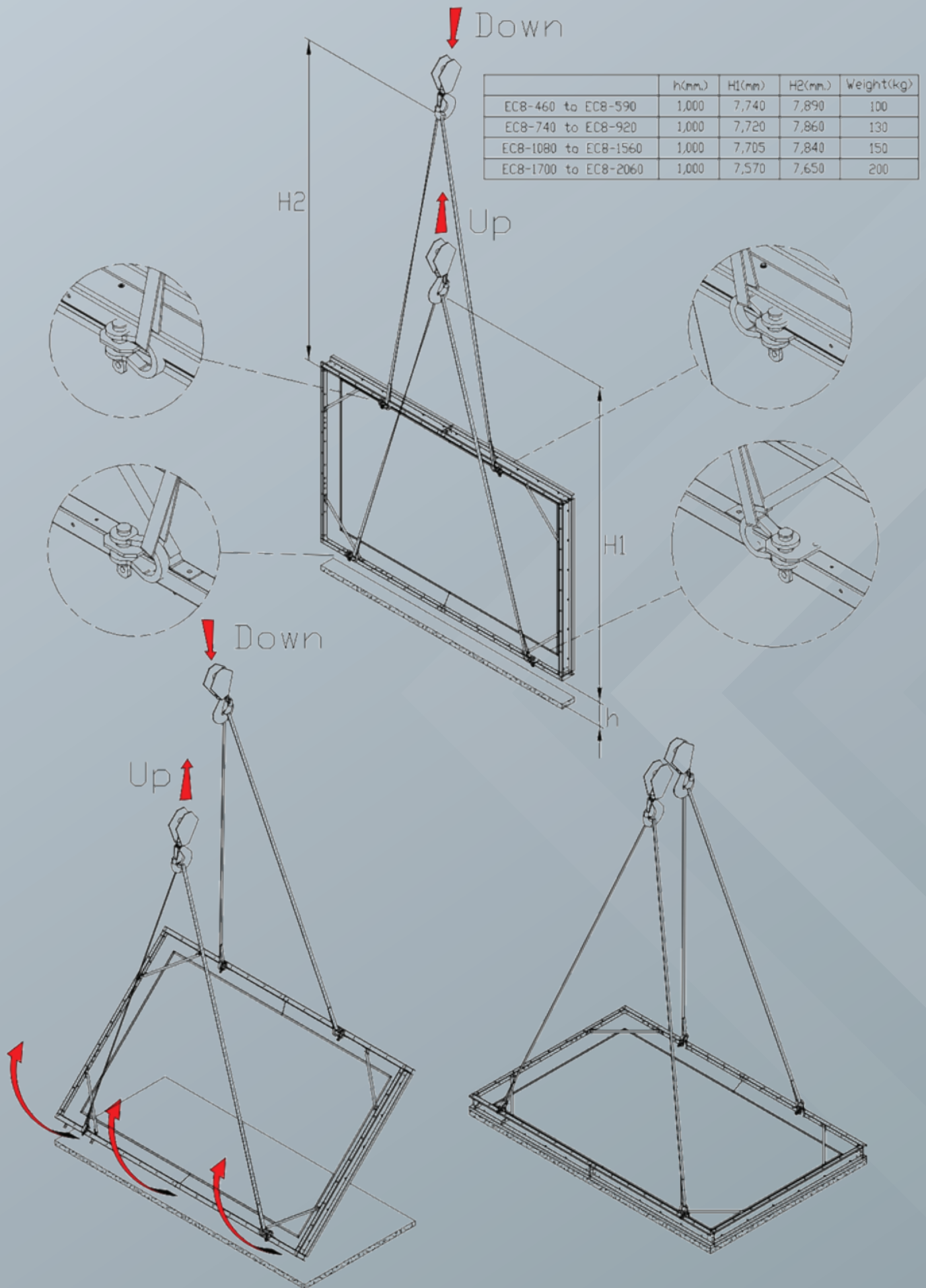
	h(mm)	H1(mm)	H2(mm)	Weight(kg)
EC8-460 to EC8-590	1,000	7,770	7,900	3,400
EC8-740 to EC8-920	1,000	7,720	7,835	4,750
EC8-1080 to EC8-1560	1,000	7,655	7,740	6,400
EC8-1700 to EC8-2060	1,000	7,470	7,465	9,400

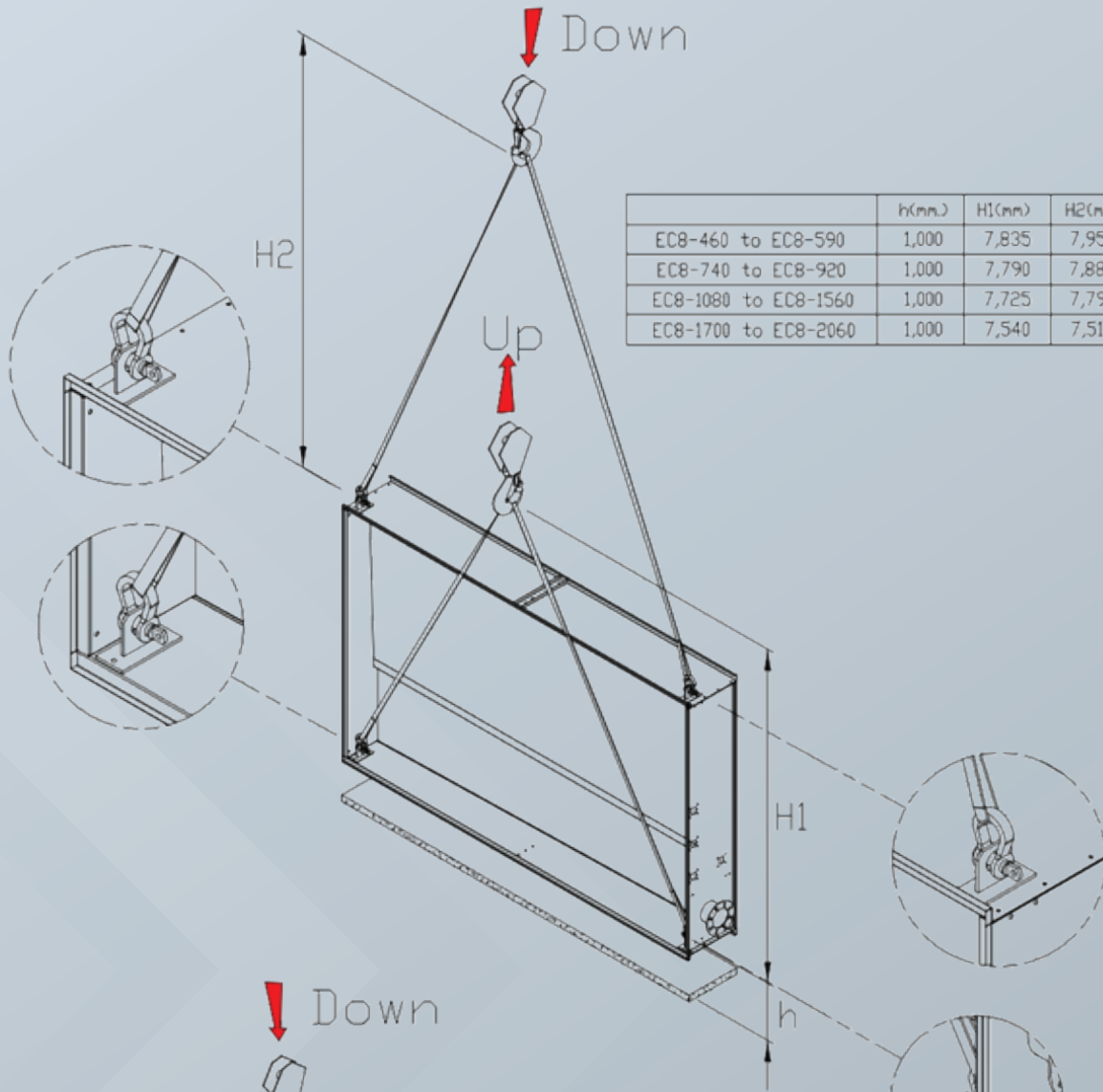




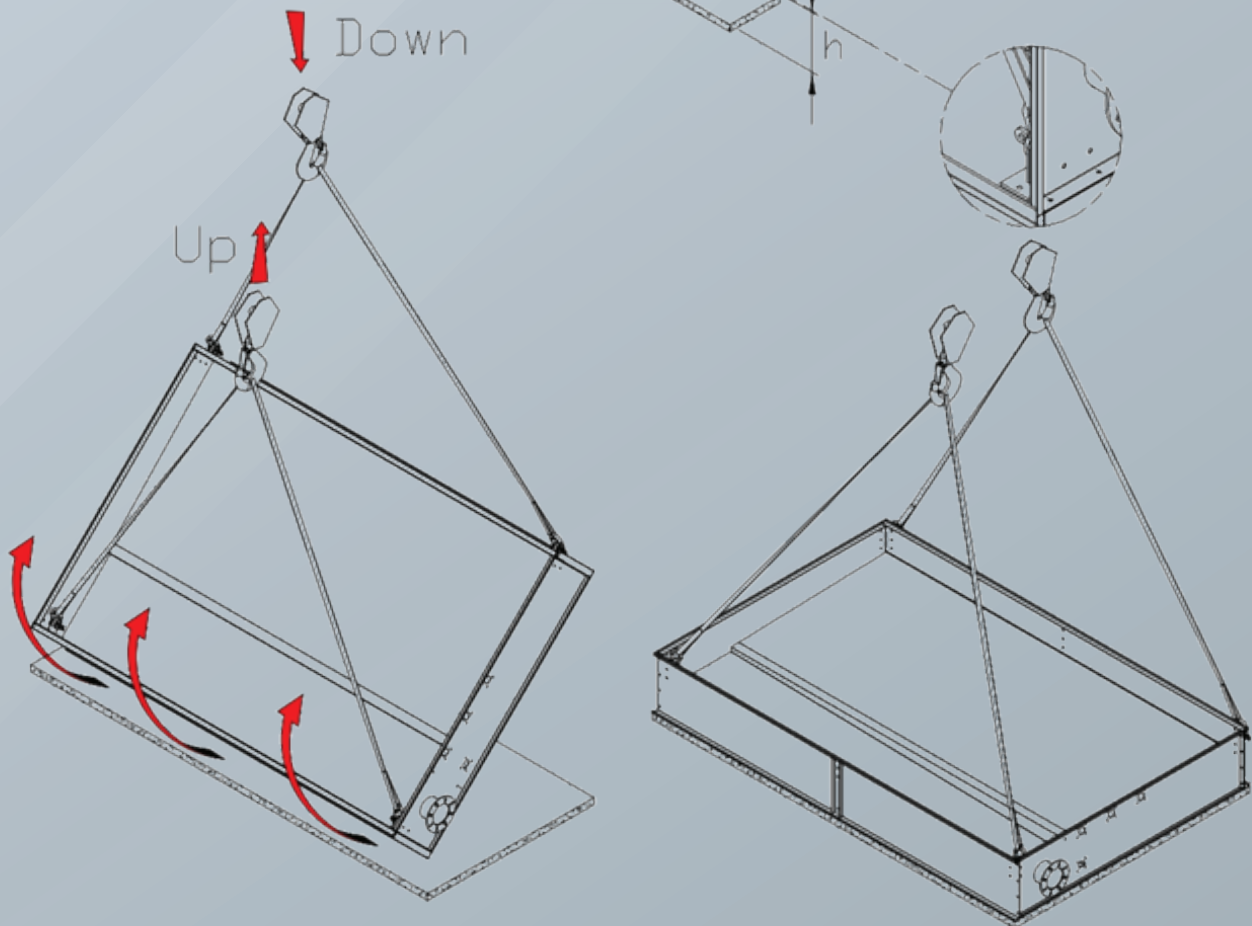
	h(mm)	H1(mm)	H2(mm)	Weight(kg)
EC8-460 to EC8-590	1,000	7,800	7,950	180
EC8-740 to EC8-920	1,000	7,755	7,875	250
EC8-1080 to EC8-1560	1,000	7,700	7,800	350
EC8-1700 to EC8-2060	1,000	7,530	7,545	450

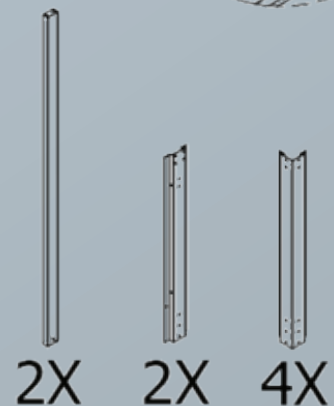
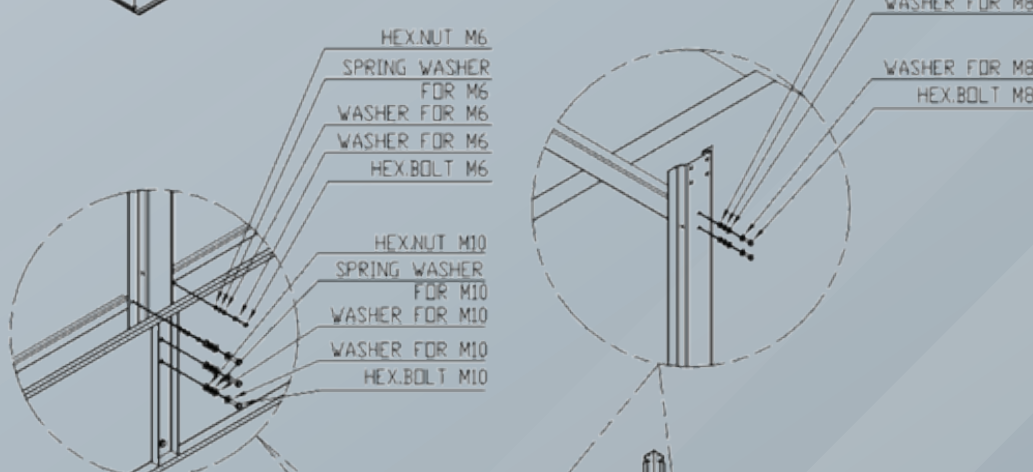
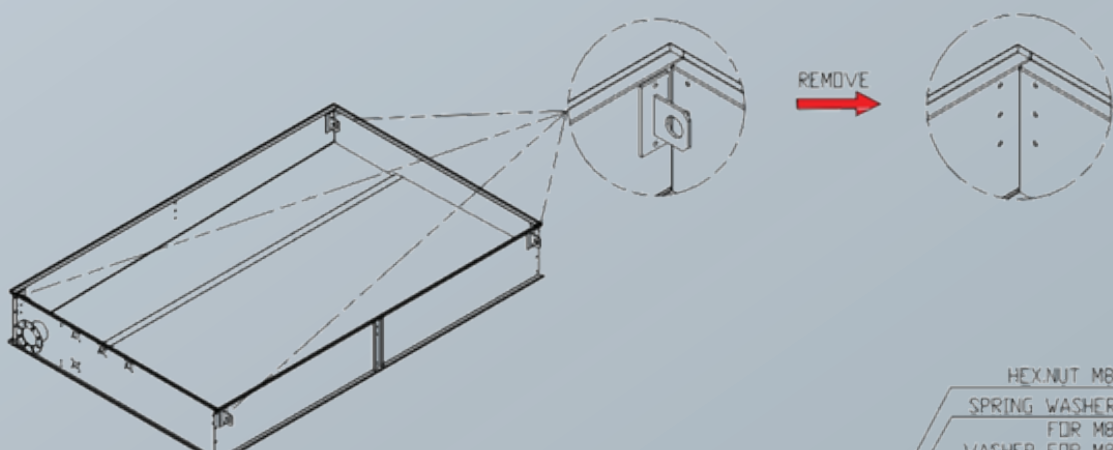




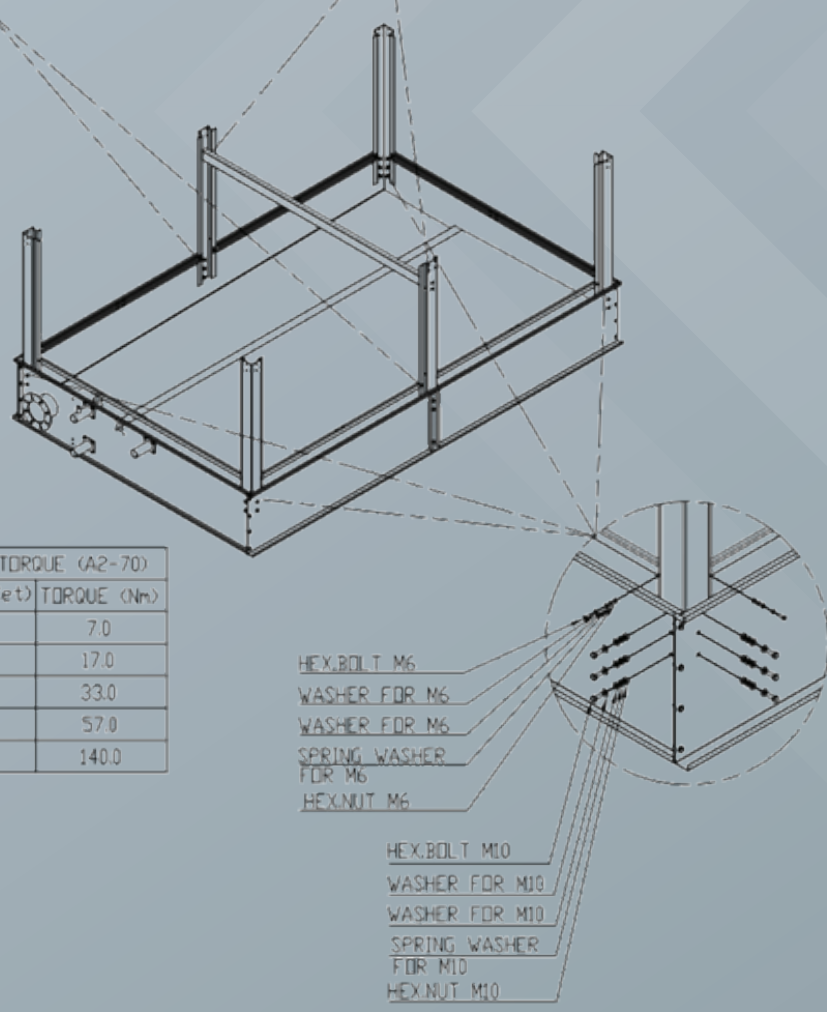


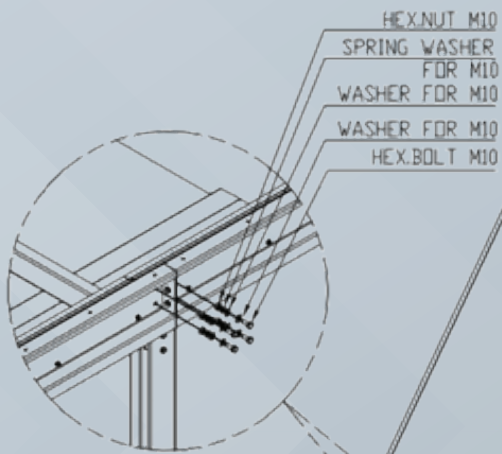
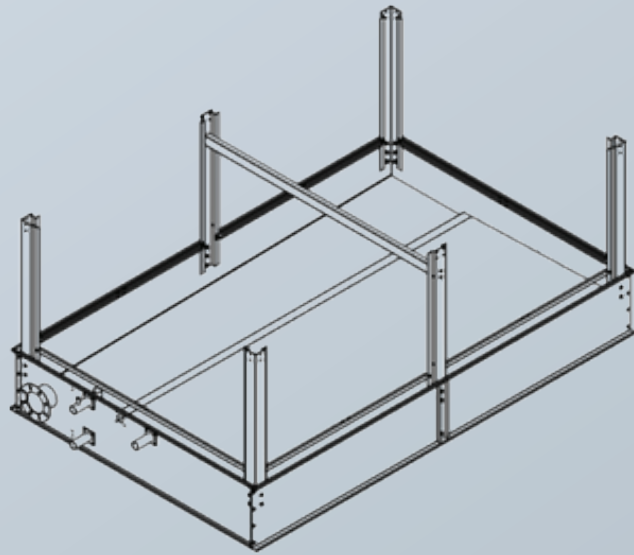
	h(mm.)	H1(mm.)	H2(mm.)	Weight(kg)
EC8-460 to EC8-590	1,000	7,835	7,950	200
EC8-740 to EC8-920	1,000	7,790	7,885	250
EC8-1080 to EC8-1560	1,000	7,725	7,790	300
EC8-1700 to EC8-2060	1,000	7,540	7,515	400



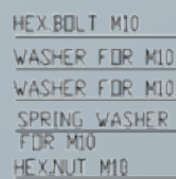
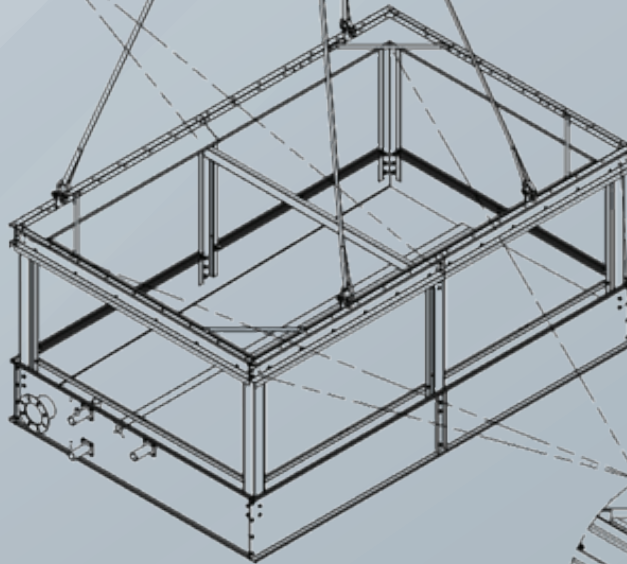


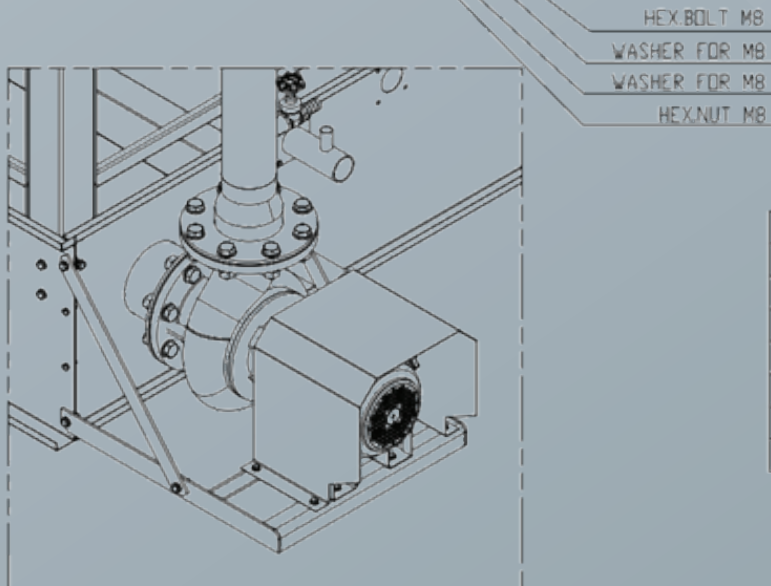
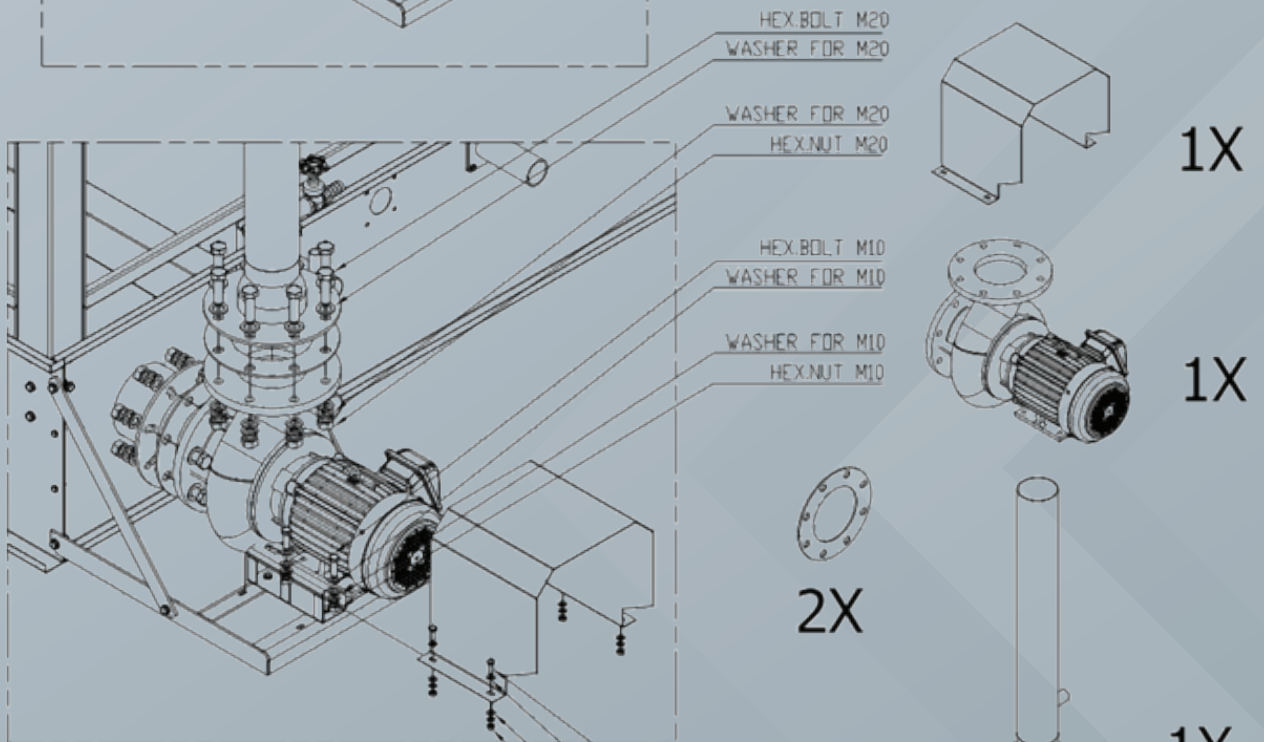
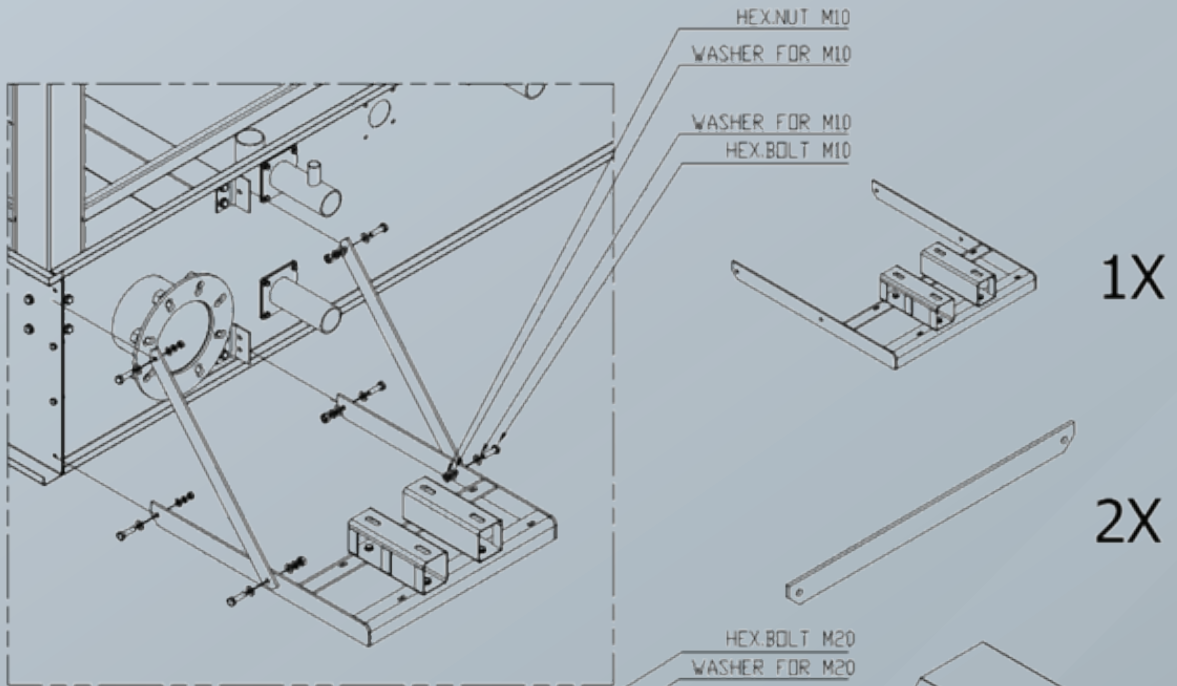
TIGHTENING TORQUE (A2-70)		
M	Qty (Set)	TORQUE (Nm)
6	12	7.0
8	4	17.0
10	30	33.0
12	0	57.0
16	0	140.0



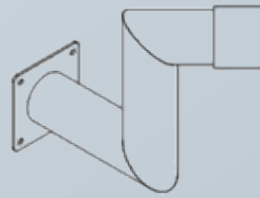
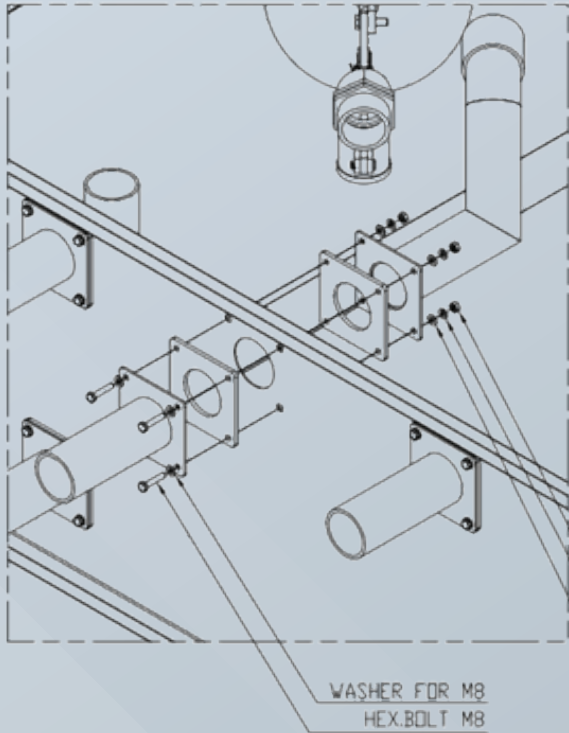


TIGHTENING TORQUE (A2-70)		
M	Qty (Set)	TORQUE (Nm)
6	0	7.0
8	0	17.0
10	24	33.0
12	0	57.0
16	0	140.0

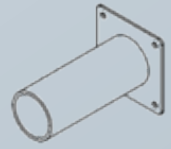




TIGHTENING TORQUE (A2-70)		
M	Qty (Set)	TORQUE (Nm)
6	0	7.0
8	4	17.0
10	10	33.0
12	0	57.0
16	0	140.0
20	16	



1X

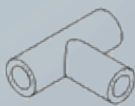
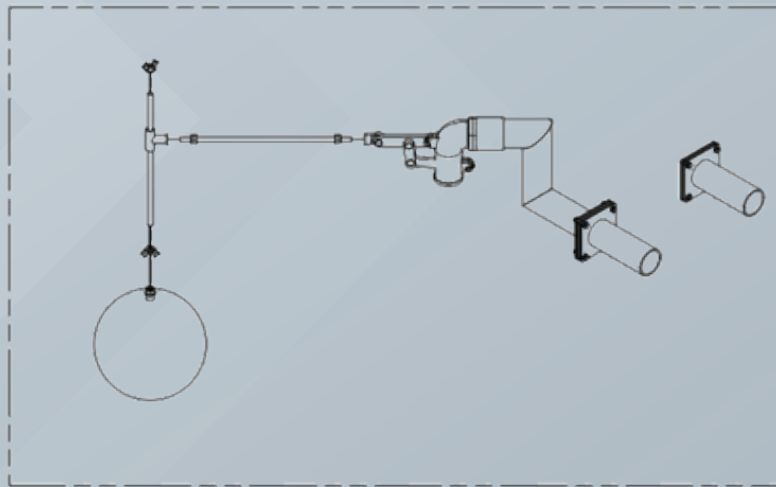


1X

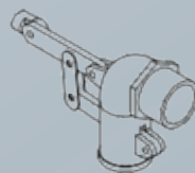


2X

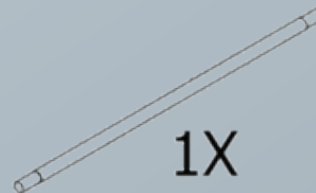
TIGHTENING TORQUE (A2-70)		
M	Qty (Set)	TORQUE (Nm)
6	0	7.0
8	4	17.0
10	0	33.0
12	0	57.0
16	0	140.0



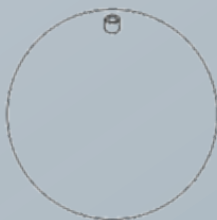
1X



1X



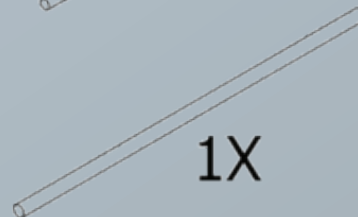
1X



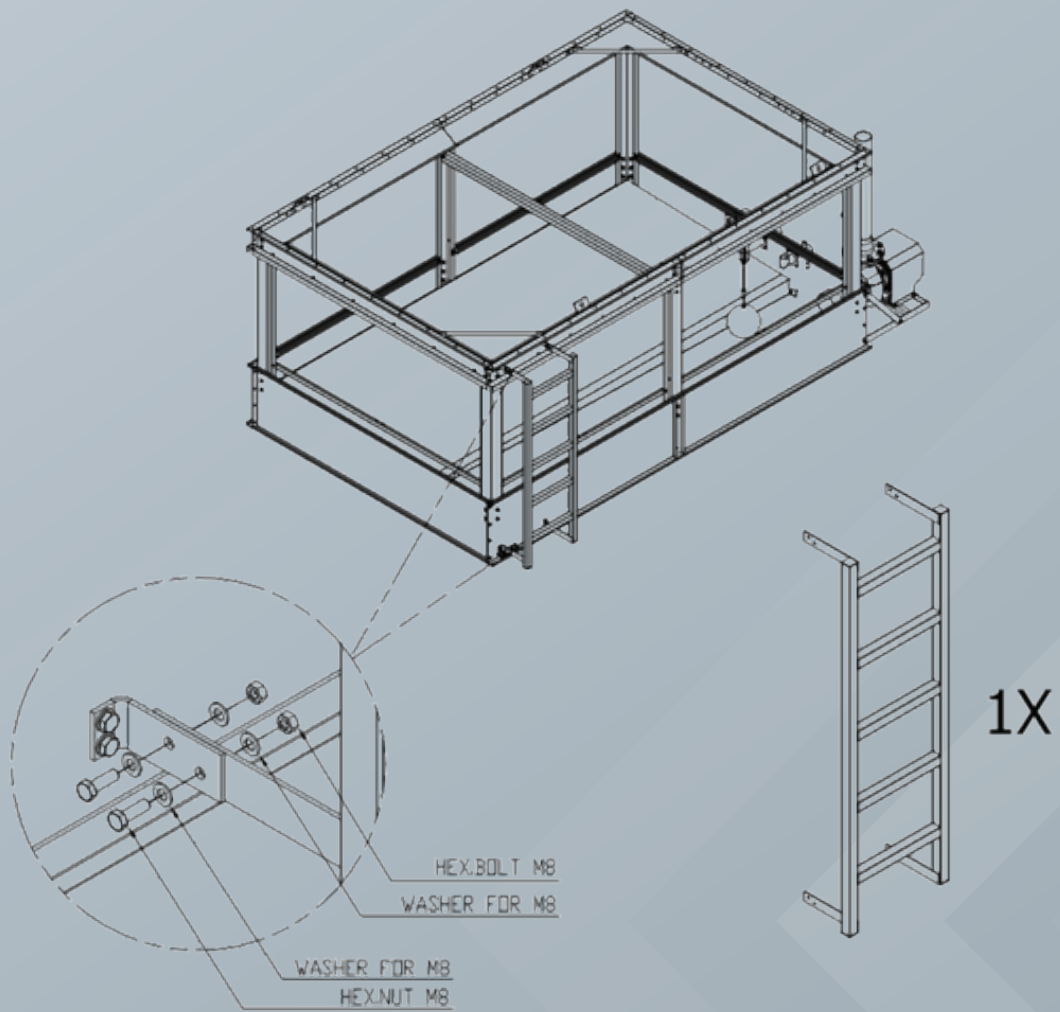
1X



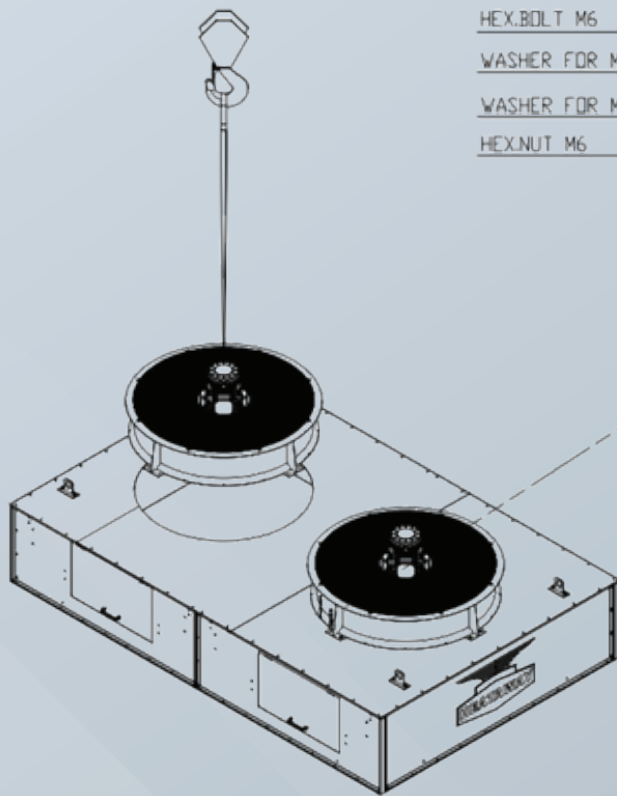
2X



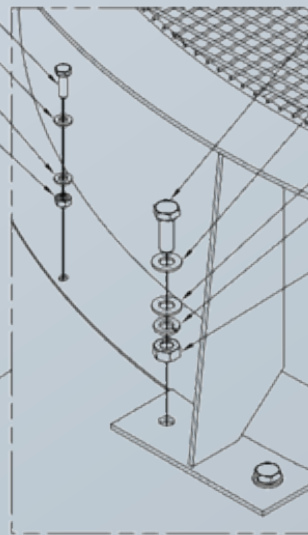
1X



TIGHTENING TORQUE (A2-70)		
M	Qty (Set)	TORQUE (Nm)
6	0	7.0
8	8	17.0
10	0	33.0
12	0	57.0
16	0	140.0

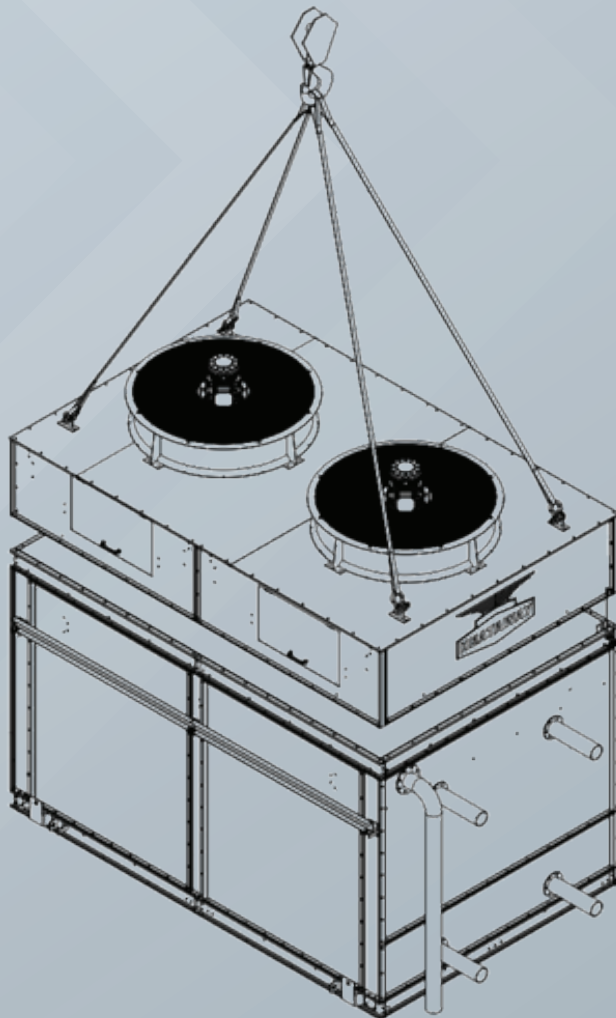


HEX.BOLT M6
 WASHER FOR M6
 WASHER FOR M6
 HEX.NUT M6

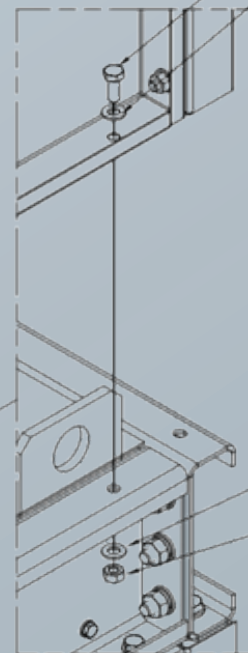


HEX.BOLT M10
 WASHER FOR M10
 WASHER FOR M10
 SPRING WASHER FOR M10
 HEX.NUT M10

TIGHTENING TORQUE (A2-70)		
M	Qty (Set)	TORQUE (Nm)
6	24	7.0
8	0	17.0
10	16	33.0
12	0	57.0
16	0	140.0

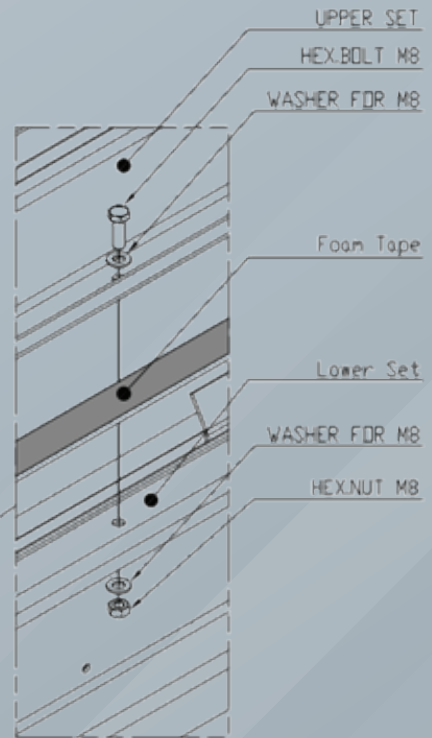
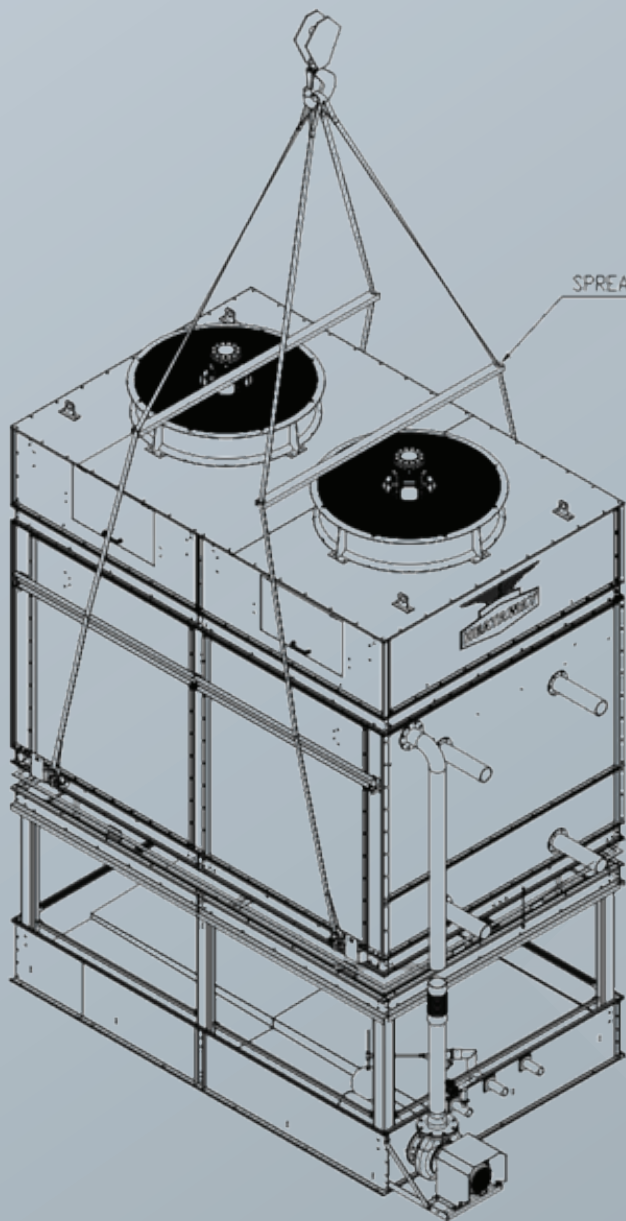


HEX.BOLT M8
 WASHER FOR M8

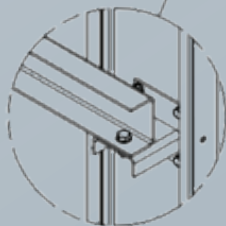
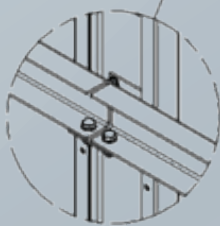
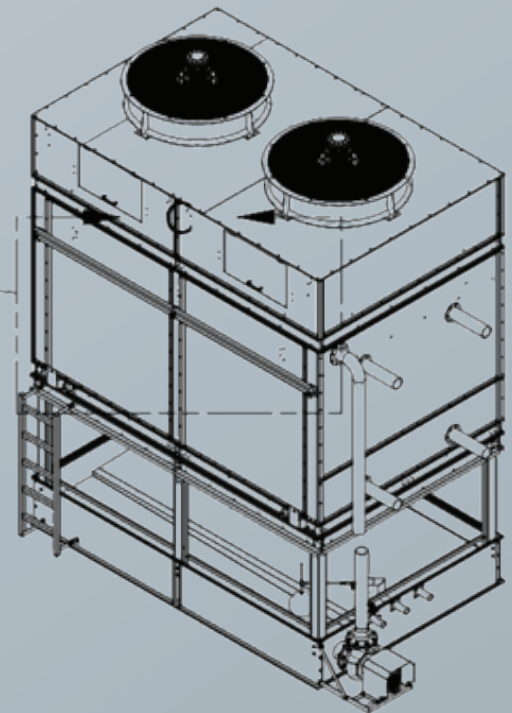
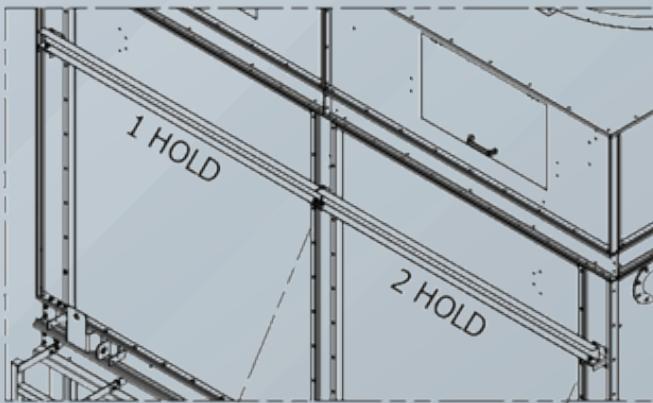
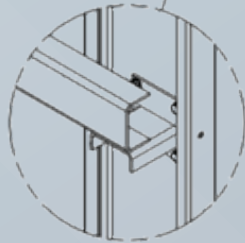
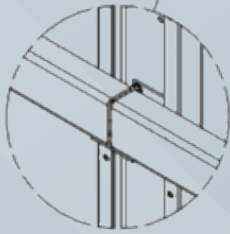
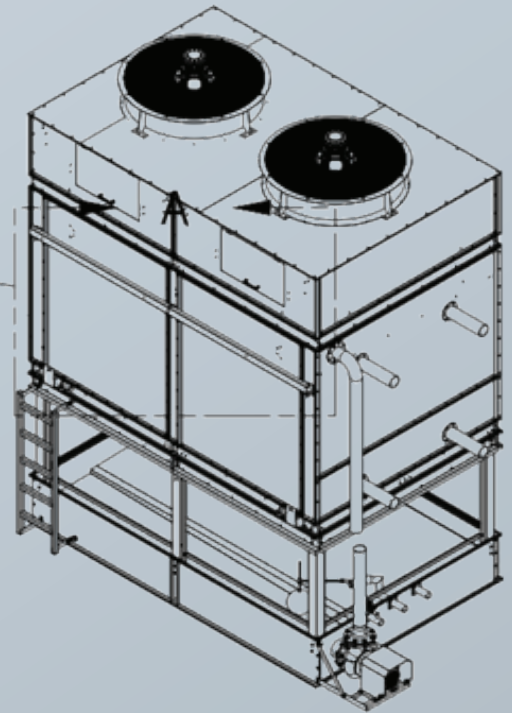
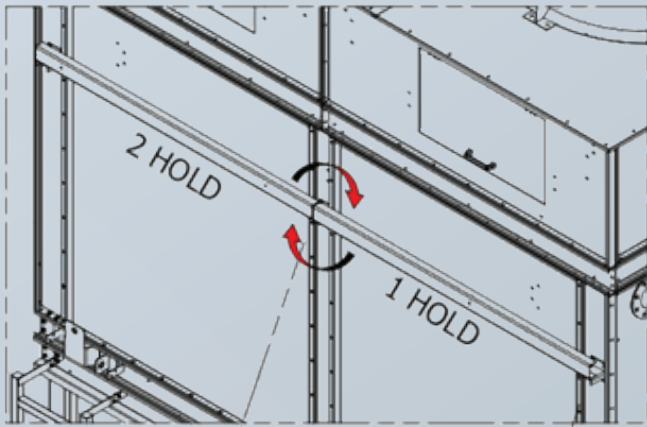


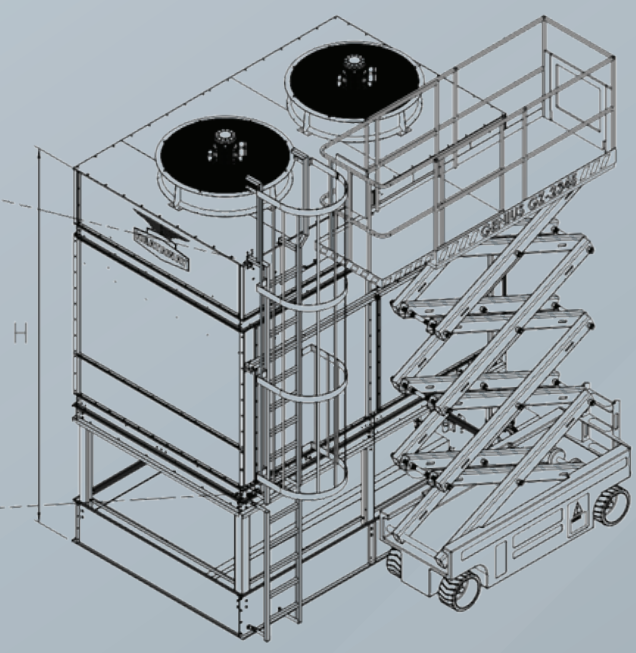
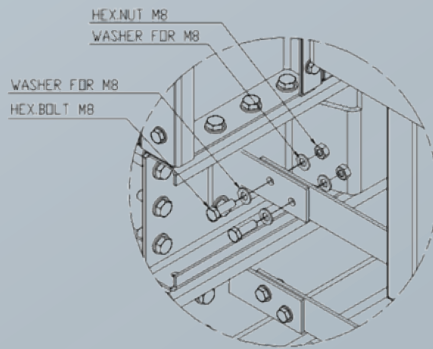
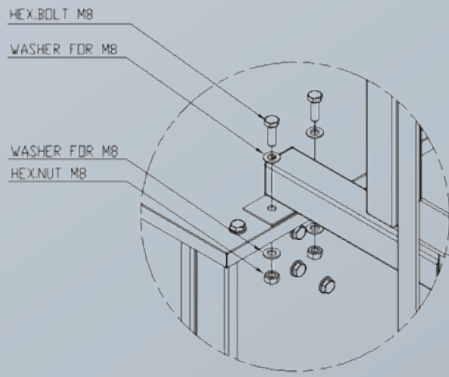
WASHER FOR M8
 HEX.NUT M8

TIGHTENING TORQUE (A2-70)		
M	Qty (Set)	TORQUE (Nm)
6	0	7.0
8	56	17.0
10	0	33.0
12	0	57.0
16	0	140.0



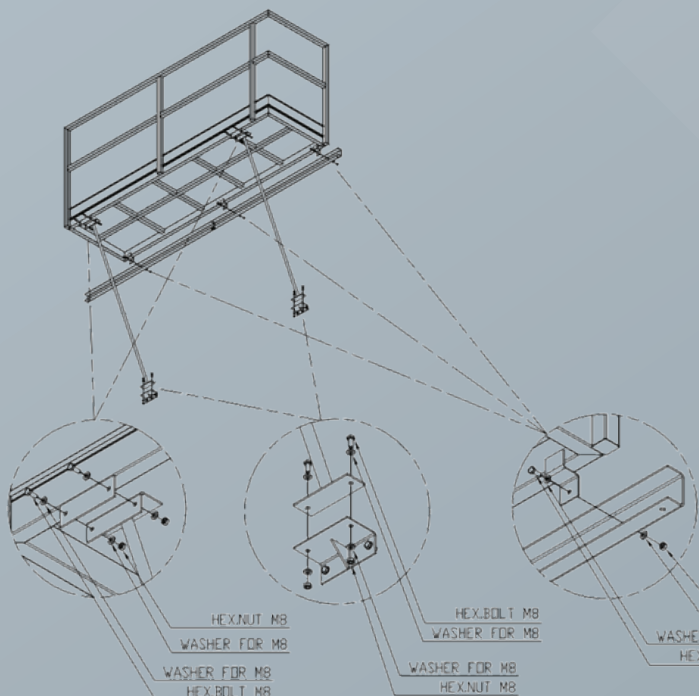
TIGHTENING TORQUE (A2-70)		
M	Qty (Set)	TORQUE (Nm)
6	0	7.0
8	32	17.0
10	0	33.0
12	0	57.0
16	0	140.0





TIGHTENING TORQUE (A2-70)		
M	Qty (Set)	TORQUE (Nm)
6	0	7.0
8	8	17.0
10	0	33.0
12	0	57.0
16	0	140.0

H(mm)	EC8			
	EC8-460	EC8-740	EC8-1080	
4,035	EC8-460	EC8-740	EC8-1080	
4,135	EC8-1700			
4,275	EC8-530	EC8-840	EC8-1230	
4,375	EC8-1900			
4,515	EC8-590	EC8-920	EC8-1340	EC8-1560
4,515	EC8-2060			



TIGHTENING TORQUE (A2-70)		
M	Qty (Set)	TORQUE (Nm)
6	0	7.0
8	11	17.0
10	0	33.0
12	0	57.0
16	0	140.0

