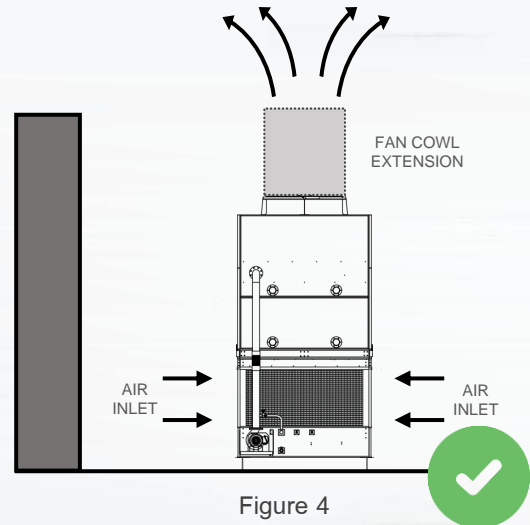
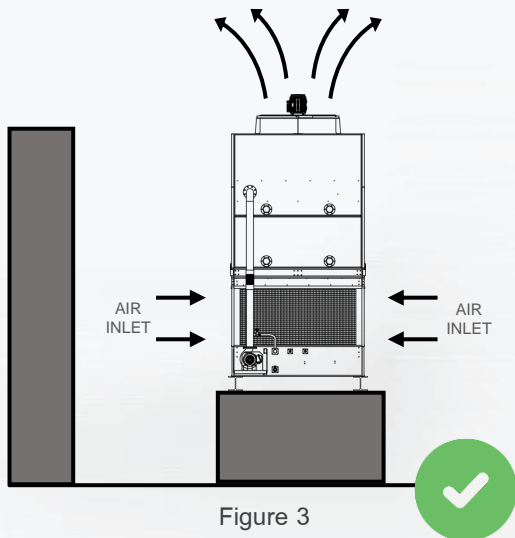
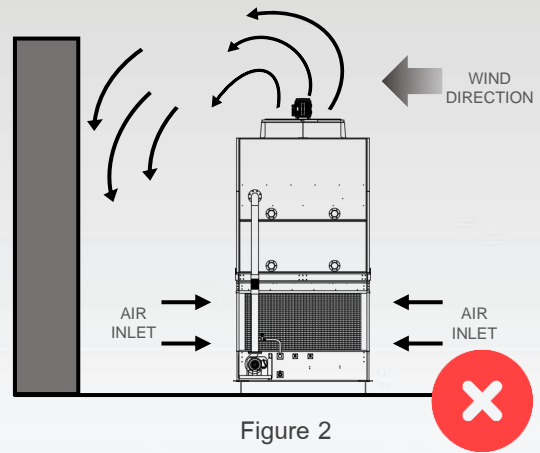
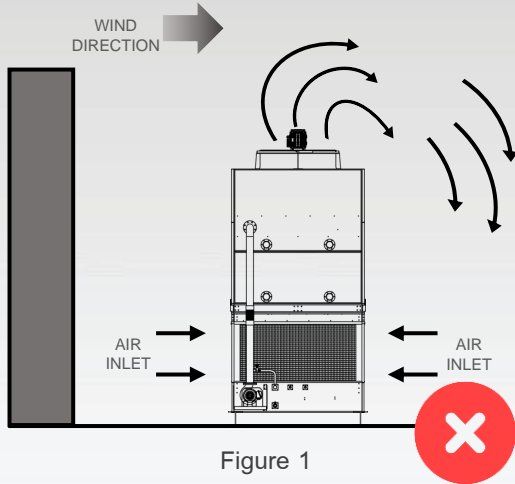


LAYOUT INSTRUCTION



NOTE: The warranty is invalid for any damages or heat rejection capacity problem are occurred by the installation which is **NOT** complies with this instruction.

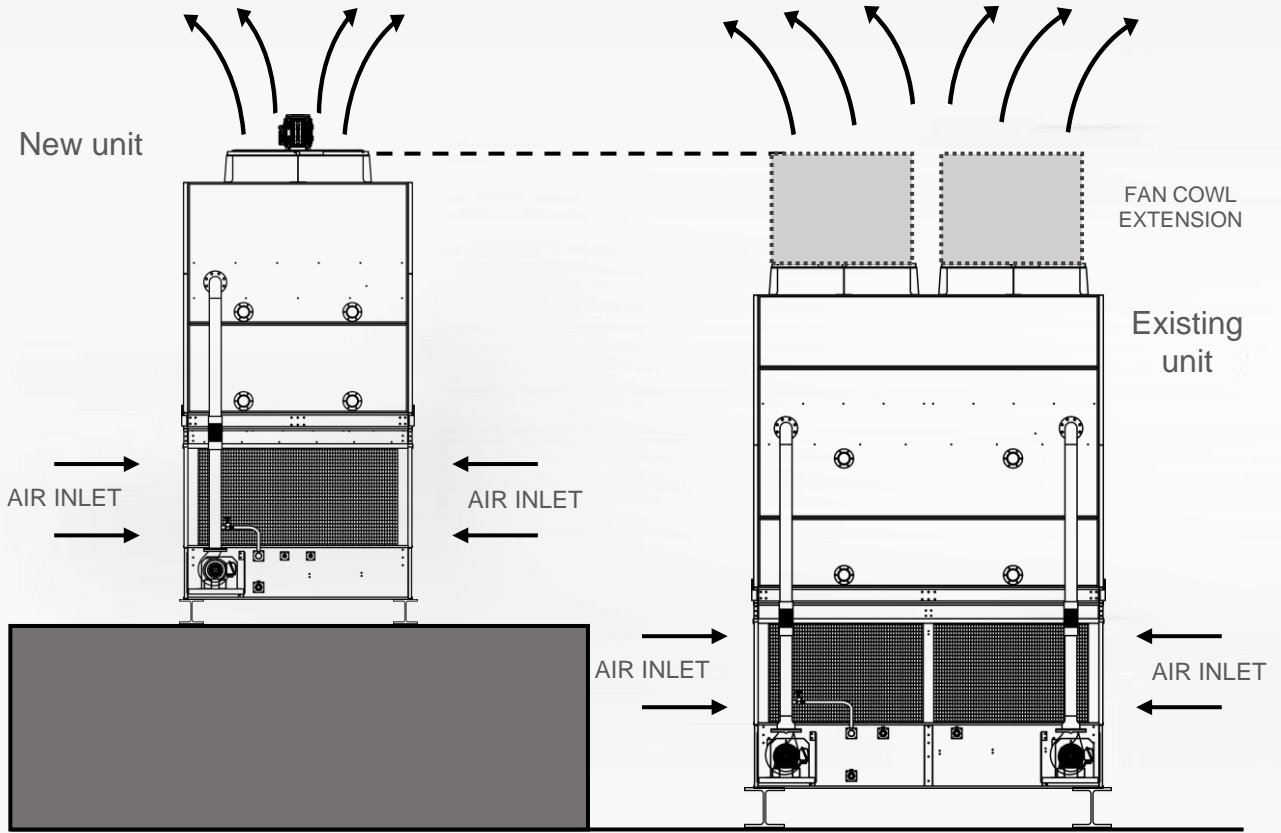
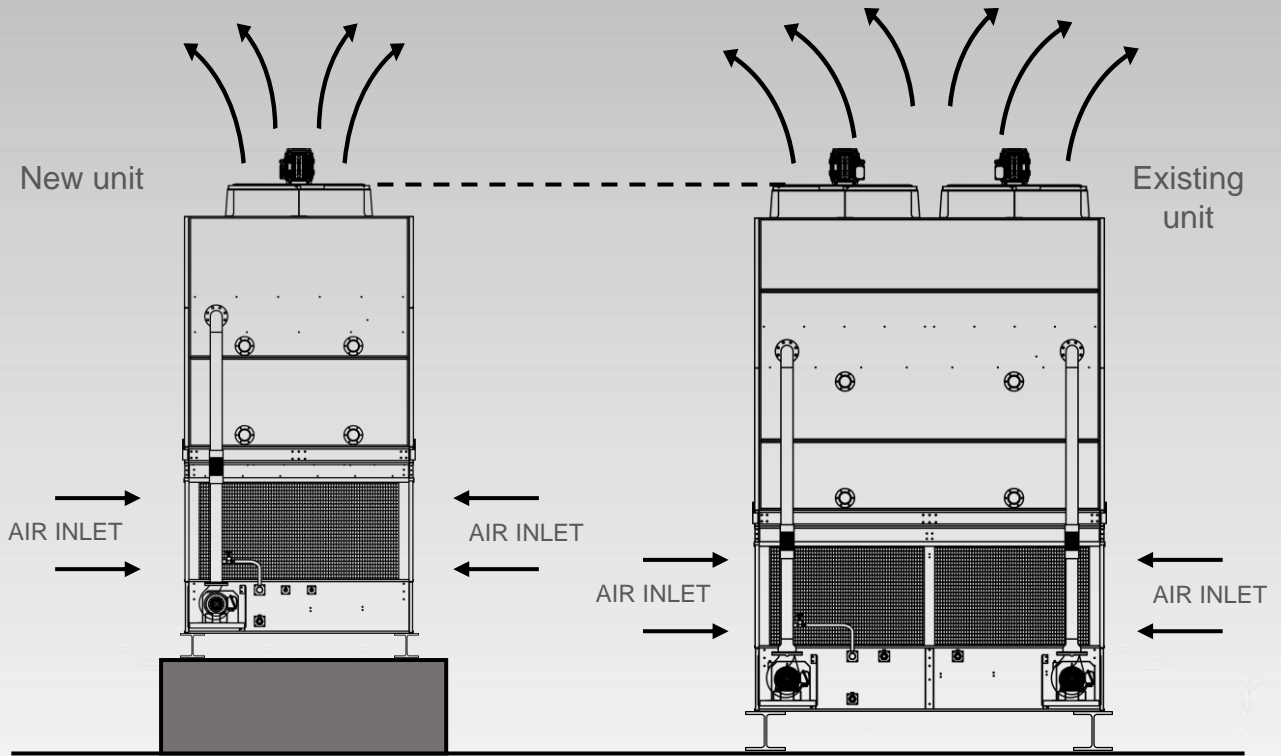
UNIT INSTALLATIONS



The top of unit must be higher than or equal to the surrounding constructions such as wall, building, or any other constructions. If the top of unit is lower than the surrounding constructions (Figure 1 and 2), air recirculation can be problem with heat rejection capacity and can damage the unit itself.

The installations are shown in figure 1 and 2 can be corrected by elevating the unit as shown in figure 3 or elevating fan discharge by fan cowl extension as shown in figure 4.

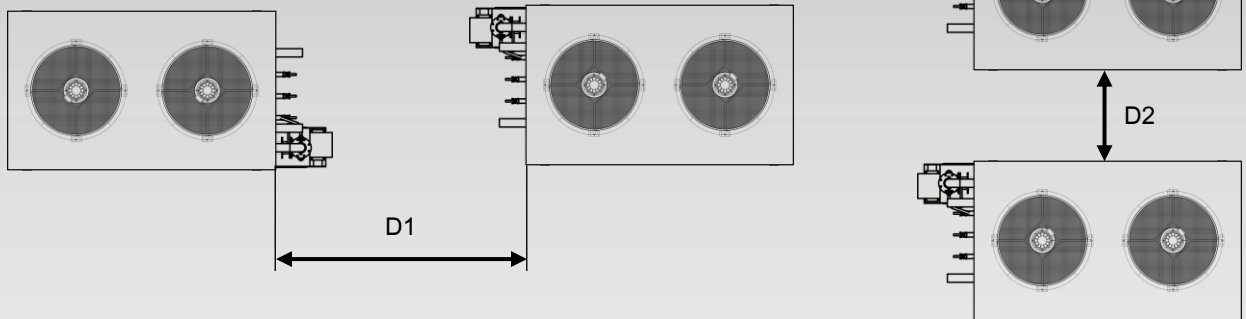
EXPANSIONS TO EXISTING SYSTEMS



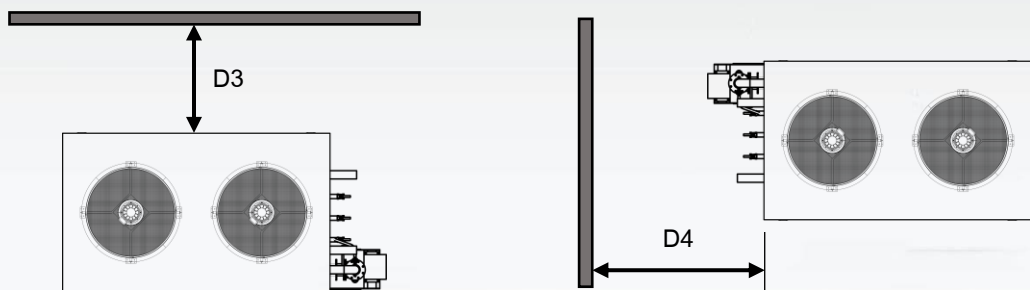
The top of new unit must be equal to the top of existing unit to avoid air recirculation from one unit to another, which may be a problem with heat rejection capacity and the water droplets and mist from air discharge can damage units.

UNIT CLEARANCE - SINGLE/MULTIPLE UNIT INSTALLATIONS

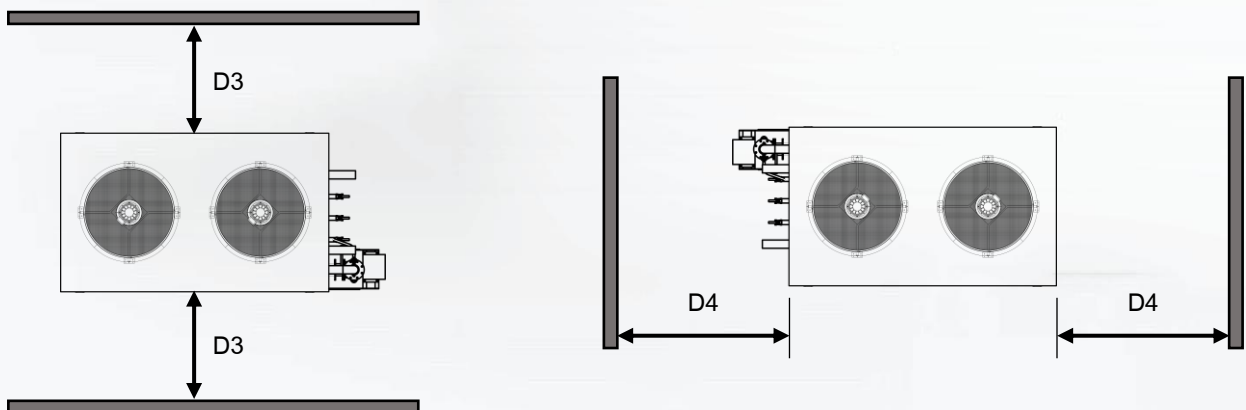
Case 1 : No obstructions



Case 2 : Single wall/Single unit



Case 3 : Two walls/Single unit

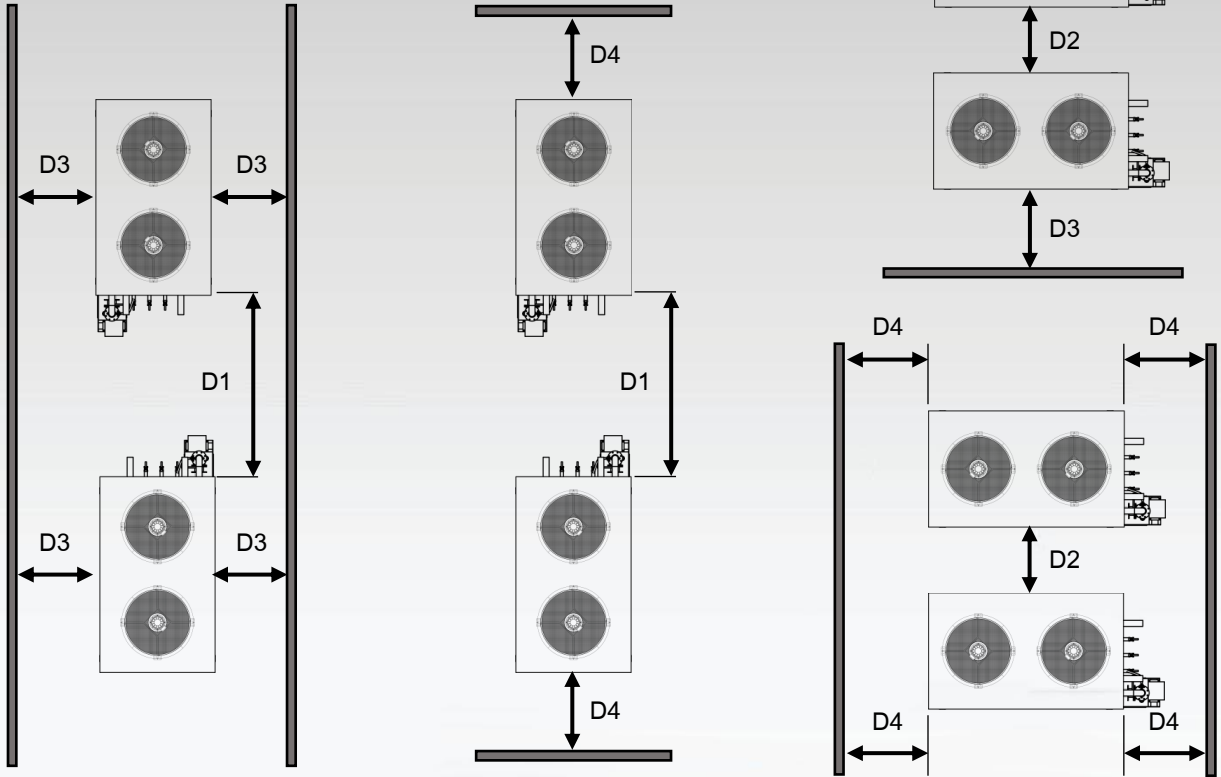


NOTE:

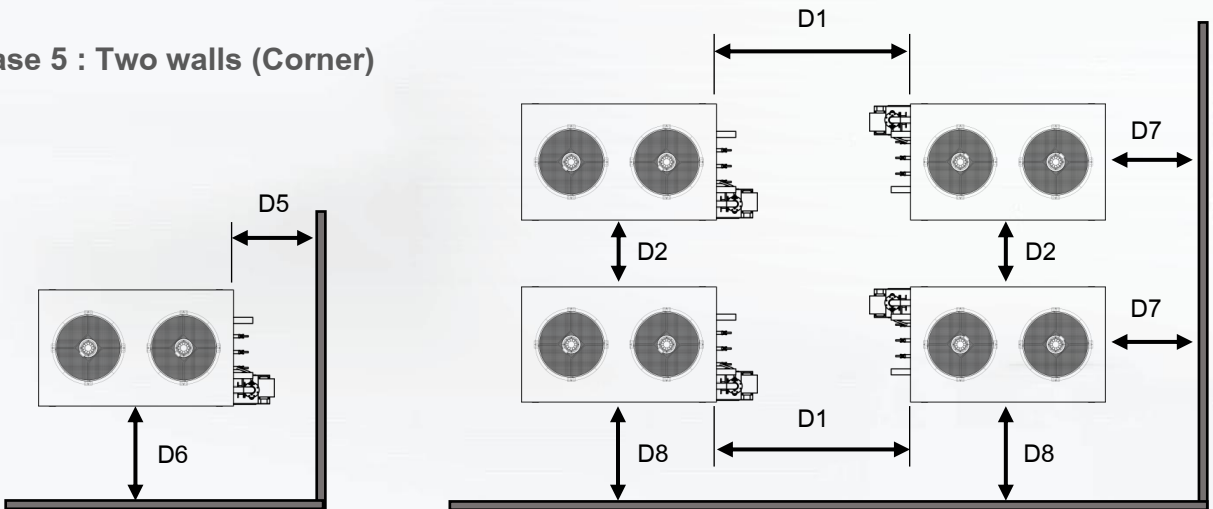
The unit clearance of each case is shown in table 1.

UNIT CLEARANCE - SINGLE/MULTIPLE UNIT INSTALLATIONS (CONTINUED)

Case 4 : Two walls/Two units



Case 5 : Two walls (Corner)



NOTE:

The unit clearance of each case is shown in table 1.

UNIT CLEARANCE - SINGLE/MULTIPLE UNIT INSTALLATIONS (CONTINUED)

Case 6 : Three walls (Corner)

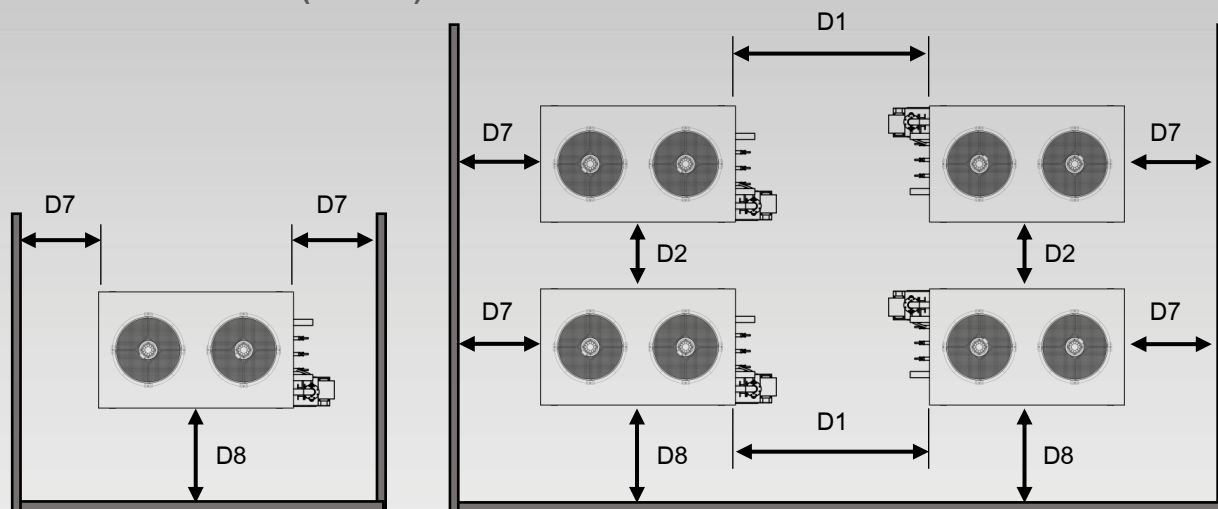


Table 1 : Minimum clearance

| Model | Minimum dimension (mm) | | | | | | | |
|----------|------------------------|-------|-------|-------|-------|-------|-------|-------|
| | D1 | D2 | D3 | D4 | D5 | D6 | D7 | D8 |
| EC7-0550 | 1,800 | 1,800 | 1,000 | 1,000 | 1,300 | 1,300 | 1,500 | 1,500 |
| EC7-0700 | 1,800 | 1,800 | 1,000 | 1,000 | 1,300 | 1,300 | 1,500 | 1,500 |
| EC7-0800 | 2,000 | 2,000 | 1,000 | 1,000 | 1,300 | 1,300 | 1,500 | 1,500 |
| EC7-1000 | 2,000 | 2,000 | 1,000 | 1,000 | 1,300 | 1,300 | 1,500 | 1,500 |
| EC7-1250 | 2,000 | 2,000 | 1,000 | 1,000 | 1,300 | 1,300 | 1,500 | 1,500 |
| EC7-1350 | 2,000 | 2,000 | 1,000 | 1,000 | 1,300 | 1,300 | 1,500 | 1,500 |
| EC7-1500 | 2,000 | 2,000 | 1,000 | 1,000 | 1,300 | 1,300 | 1,500 | 1,500 |
| EC7-1550 | 2,000 | 2,000 | 1,000 | 1,000 | 1,300 | 1,300 | 1,500 | 1,500 |
| EC7-1700 | 2,200 | 2,200 | 1,200 | 1,200 | 1,500 | 1,500 | 1,700 | 1,700 |
| EC7-1800 | 2,000 | 2,000 | 1,000 | 1,000 | 1,300 | 1,300 | 1,500 | 1,500 |
| EC7-2000 | 2,200 | 2,200 | 1,200 | 1,200 | 1,500 | 1,500 | 1,700 | 1,700 |
| EC7-2350 | 2,200 | 2,200 | 1,200 | 1,200 | 1,500 | 1,500 | 1,700 | 1,700 |
| EC7-2550 | 2,200 | 2,200 | 1,200 | 1,200 | 1,500 | 1,500 | 1,700 | 1,700 |
| EC7-2800 | 2,200 | 2,200 | 1,200 | 1,200 | 1,500 | 1,500 | 1,700 | 1,700 |
| EC7-3100 | 2,200 | 2,200 | 1,200 | 1,200 | 1,500 | 1,500 | 1,700 | 1,700 |
| EC7-3300 | 2,200 | 2,200 | 1,200 | 1,200 | 1,500 | 1,500 | 1,700 | 1,700 |
| EC7-3550 | 2,200 | 2,200 | 1,200 | 1,200 | 1,500 | 1,500 | 1,700 | 1,700 |
| EC7-3700 | 2,200 | 2,200 | 1,200 | 1,200 | 1,500 | 1,500 | 1,700 | 1,700 |
| EC7-3900 | 2,200 | 2,200 | 1,200 | 1,200 | 1,500 | 1,500 | 1,700 | 1,700 |

NOTE:

Minimum clearance of other cases, please contact HEATAWAY Representative.